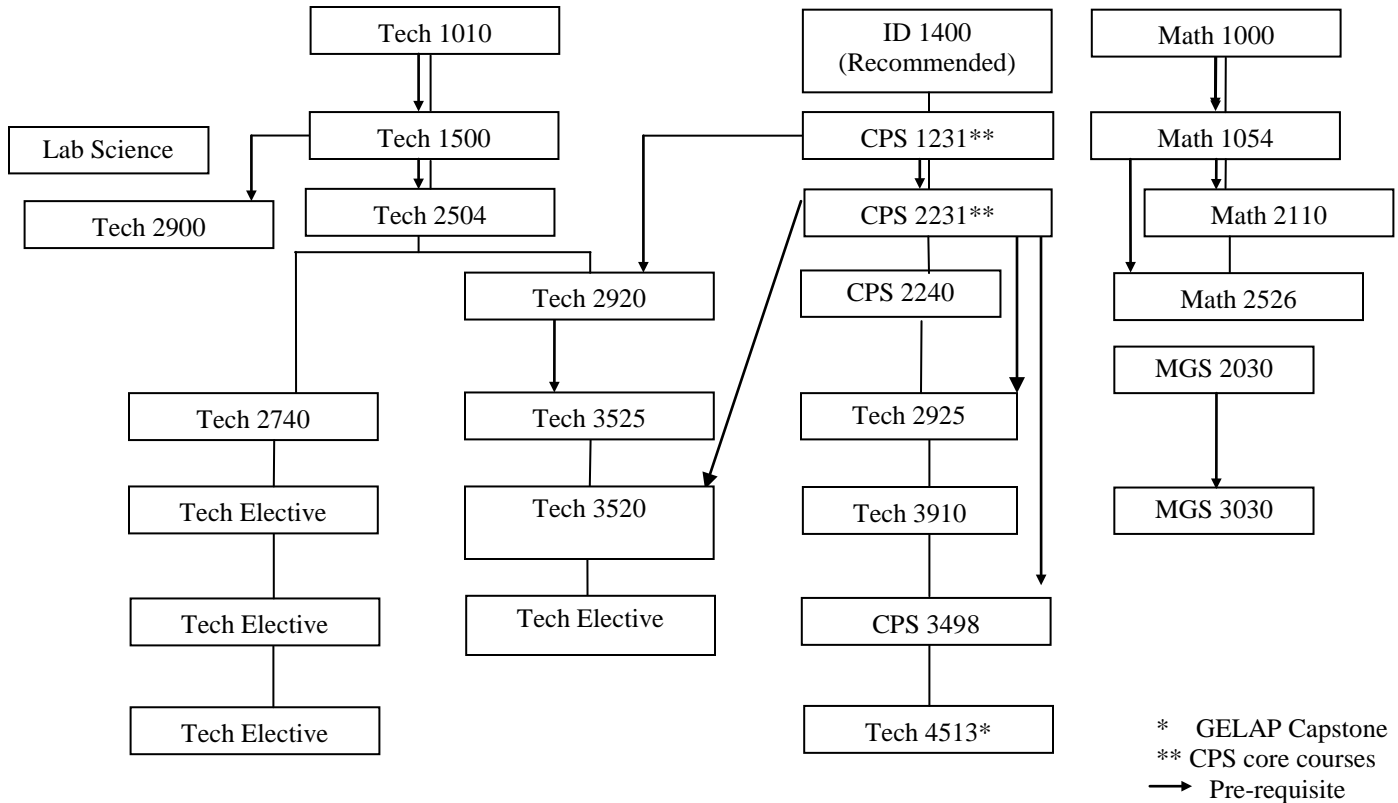


Recommended Major Course Sequence for Information Technology



* GELAP Capstone
 ** CPS core courses
 → Pre-requisite

1st Year: Fall Semester **S1**
 Tech 1010 Information Tech Fndns. 3 Cr.
 ID 1400* Technology & Info Sys 3 Cr.
 Math 1000 College Algebra 3 Cr.

Spring Semester **S2**
 Tech 1500 Telecommunications 4 Cr.
 CPS 1231 Fund Comp Science 4 Cr.
 Math 1054 Precalculus 3 Cr.
 Lab Science 4 Cr.

* Recommended if Math 1000 needed

2nd Year: Fall Semester **S3**
 Tech 2504 Digital Circuits 4 Cr.
 Tech 2900 Prep. of Technical Docs. 3 Cr.
 CPS 2231 Computer Org & Prog. 4 Cr.
 Math 2110 Discrete Structures 3 Cr.

Spring Semester **S4**
 Tech 2920 Computers in Tech. 3 Cr.
 CPS 2240 IT Data Structures 3 Cr.
 Math 2526 Applied Statistics 3 Cr.
 MGS 2030 Principles of Mgmt. 3 Cr.

3rd Year: Fall Semester **S5**
 Tech 2925 Web Client Prog. 3 Cr.
 Tech 3525 Unix/Linux OS 3 Cr.
 Tech 2740 Database Concepts 3 Cr.

Spring Semester **S6**
 Tech 3520 Network Essentials 3 Cr.
 Tech 3910 IT Project Mgmt. 3 Cr.
 MGS 3030 Human Resource Mgmt. 3 Cr.
 Tech Elective 3 Cr.

4th Year: Fall Semester **S7**
 Tech Elective 3 Cr.
 Tech Elective 3 Cr.
 CPS 3498 Computer Security 3 Cr.

Spring Semester **S8**
 Tech/CPS Elective 3 Cr.
 Tech 4513 Senior Project 3 Cr.

In order to graduate in 8 semesters, 15 to 16 credits are needed each semester.