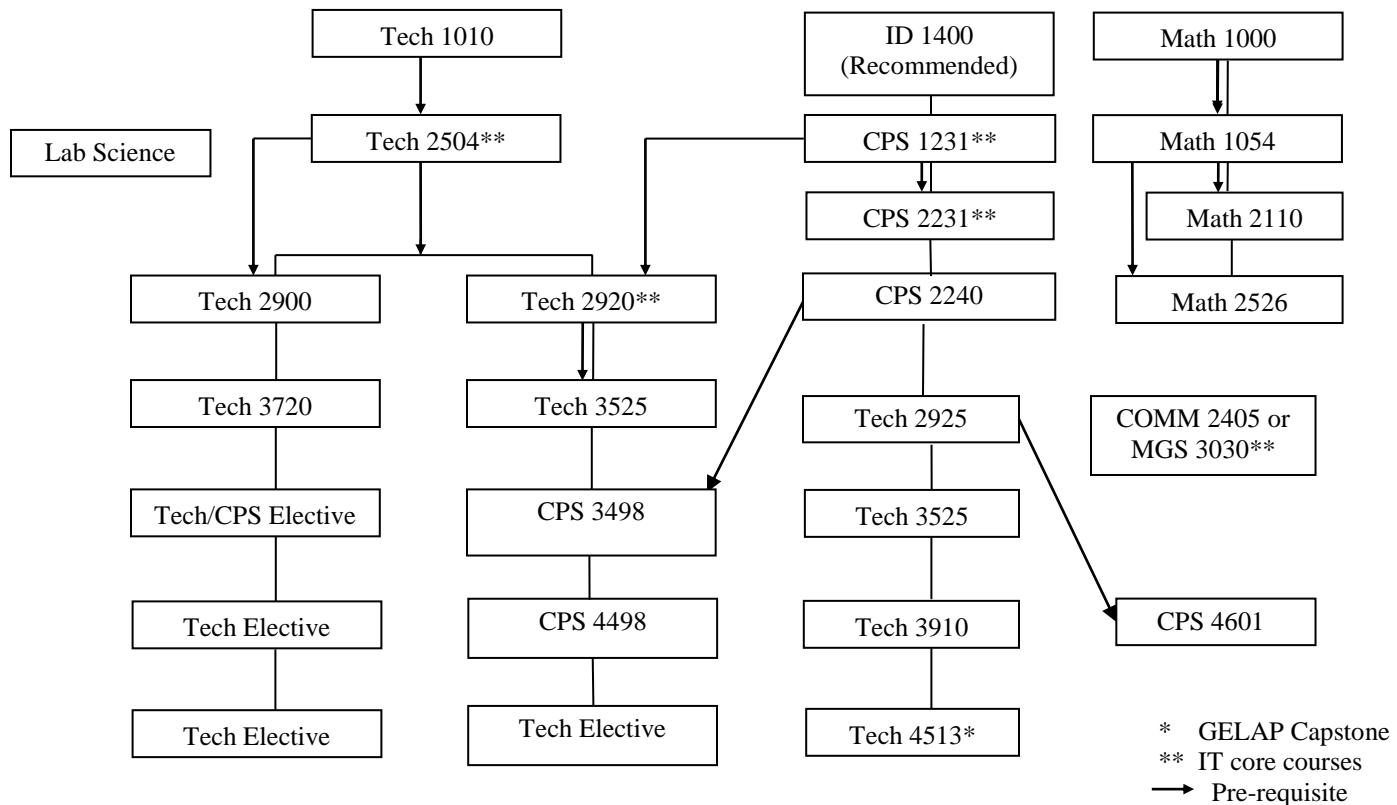


Course Sequence for Information Technology (Cybersecurity option)



1st Year: Fall Semester

Tech 1010 Information Tech Fndns. 3 Cr.
 ID 1400* Technology & Info Sys 3 Cr.
 Math 1000 College Algebra 3 Cr.

Spring Semester

Tech 2504 Digital Sys & Comm. 4 Cr.
 CPS 1231 Fund Comp Science 4 Cr.
 Math 1054 Pre-calculus 3 Cr.
 Lab Science 4 Cr

* Recommended if Math 1000 needed

2nd Year: Fall Semester

Tech 2900 Prep of Technical Docs 3 Cr.
 CPS 2231 Computer Org & Prog 4 Cr.
 Math 2110 Discrete Structures 3 Cr.
 COMM 2405 Public Speaking 3 Cr.

**MGS 2030 if MGS 3030 planned

Spring Semester

Tech 2920 Computer Systems 3 Cr.
 CPS 2240 IT Data Structures 3 Cr.
 Math 2526 Applied Statistics 3 Cr.
 MGS 3030 Human Resorce Mgmt** 3 Cr.

3rd Year: Fall Semester

Tech 2925 Web Client Prog. 3 Cr.
 Tech 3720 Database Systems 3 Cr.
 Tech 3525 Unix/Linux OS 3 Cr.
 CPS 3498 Computer Security 3 Cr.

Spring Semester

Tech 3520 Network Essentials 3 Cr.
 Tech 3910 IT Project Mgmt. 3 Cr.
 CPS 4601 Human Comp. Interact. 3 Cr

4th Year: Fall Semester

CPS 4498 Digital Forensics 3 Cr.
 Tech/CPS Elective[±] 3 Cr.
 Tech Elective 3 Cr.

Spring Semester

Tech 4513 Senior Capstone 3 Cr.
 Tech Elective 3 Cr.
 Tech Elective 3 Cr.

[±]The B.S.IT degree includes four Technology electives; one may be Computer Science.

In order to graduate in 8 semesters, 15 credits are needed each semester.

**If MGS 3030 is to be taken. MGS 2030 is the pre-requisite: 2030 serves as a Free Elective