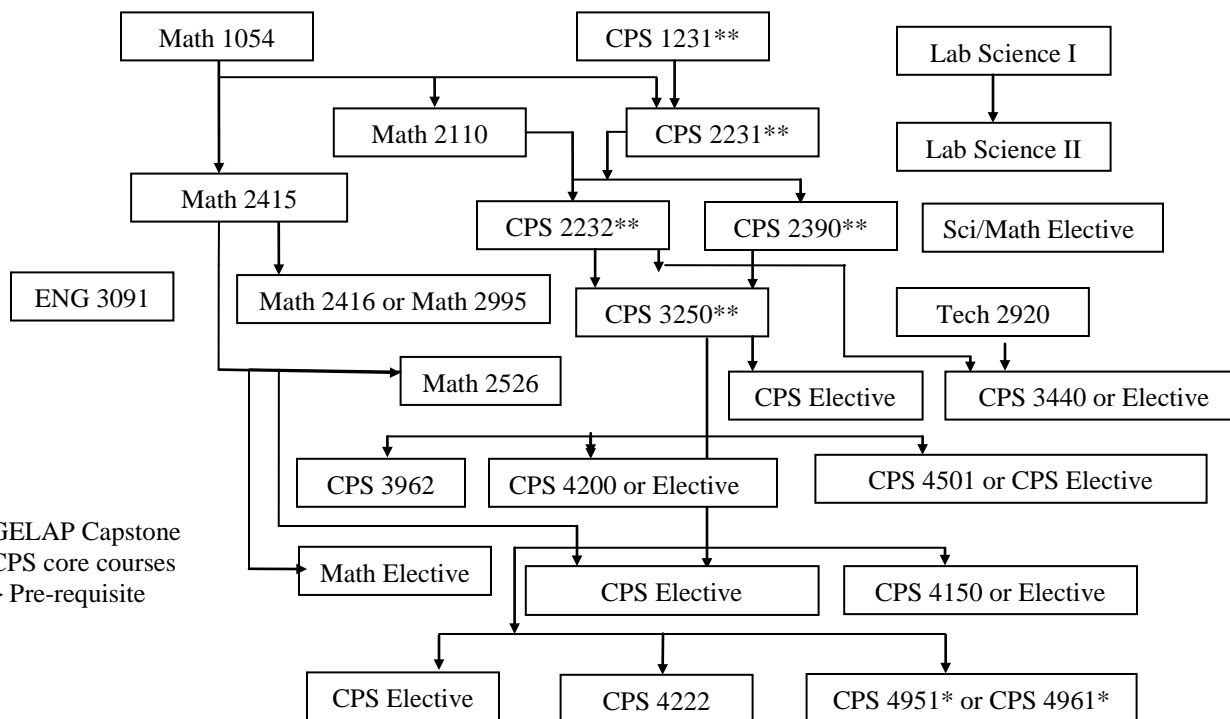


Recommended Major Course Sequence -5-year Computer Science BS/MS Prog



* GELAP Capstone
 ** CPS core courses
 → Pre-requisite

1st Year: Fall Semester

CPS 1231	Fund Comp Science	4 Cr.
Math 1054	Precalculus	3 Cr.
	Lab Science I	4 Cr.

Spring Semester

CPS 2231	Comp. Org. & Prog.	4 Cr.
Math 2110	Discrete Structures	3 Cr.
	Lab Science II	4 Cr.

2nd Year: Fall Semester

CPS 2232	Data Structures	4 Cr.
CPS 2390	Org & Architecture	3 Cr.
Math 2415	Calculus I	4 Cr.
	Science/Math elective	4/3 Cr.

Spring Semester

CPS 3250	Operating Systems	3 Cr.
Tech 2920	Computer Systems	3 Cr.
Math 2416	Calculus II <i>or</i>	4/3 Cr.
Math 2995	Matrix & Linear Alg	
Eng 3091	Technical Writing	3 Cr.

3rd Year: Fall Semester

CPS	Elective [±]	3 Cr.
Math 2526	Applied Statistics	3 Cr.
CPS 3440 ⁺⁺	Analysis of Algorithms <i>or</i>	3 Cr.
	CPS Elective	

Spring Semester

CPS 3962	Obj. Oriented Analysis	3 Cr.
CPS 4200 ⁺⁺	Sys. Prog <i>or</i> CPS Elect [±]	3 Cr.
CPS 4501 ⁺⁺	Formal Languages <i>or</i>	3 Cr.
	CPS Elective	

4th Year: Fall Semester

CPS 4150 ⁺⁺	Architecture <i>or</i> CPS Elect	3 Cr.
CPS	Elective	3 Cr.
Math	Elective	3 Cr.
CPS	Graduate Course as a Free Elective	

Spring Semester

CPS 4951/61	Senior Proj. <i>or</i> Rsrch	3 Cr.
CPS 4222	Principles of Networking	3 Cr.
CPS	Elective [±]	3 Cr.
CPS	Graduate Course as a Free Elective	

Graduate School – Fall Semester

CPS 5440	Adv. Analysis Algs.	3 Cr.
CPS 5920	Database Systems	3 Cr.
CPS 5950	Software Engineering	3 Cr.
CPS 5xxx	Graduate Elective	3 Cr.

Graduate School – Spring Semester

CPS 5100	Computer Info Systems	3 Cr.
CPS 5981	Software Assurance	3 Cr.
CPS 5995	CIS Capstone	3 Cr.
CPS 5xxx	Graduate Elective	3 Cr.

⁺⁺ only one of CPS (3440, 4501) is required; only one of CPS(4200, 4150) is require; the other course may
[±] The B.S. C.S. degree includes five computer science electives.

B.S. degree completion in 8 semesters requires 15 to 16 credits each semester.

78305 04/14